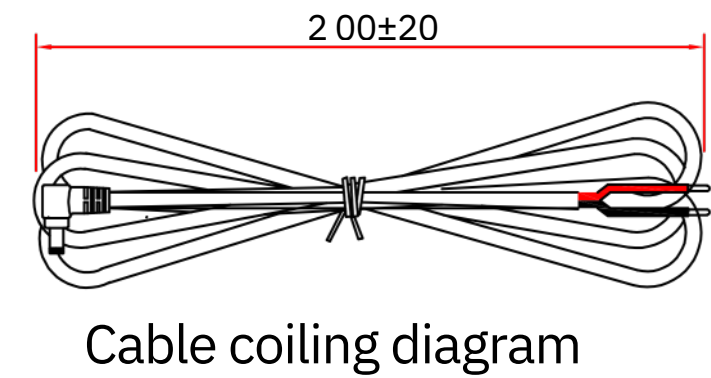
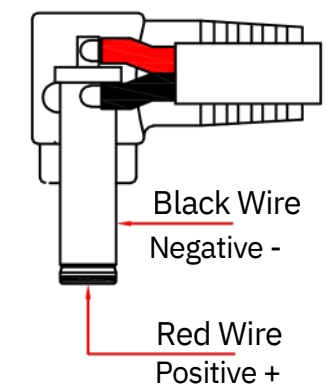
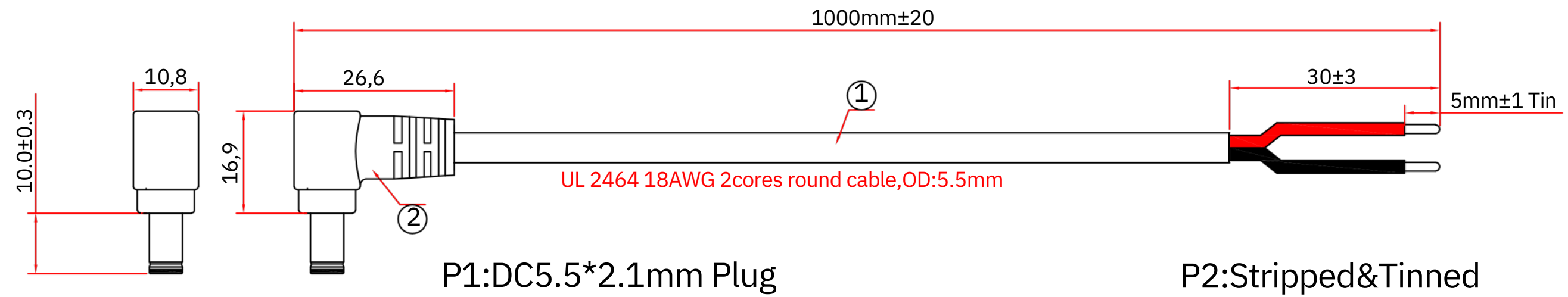
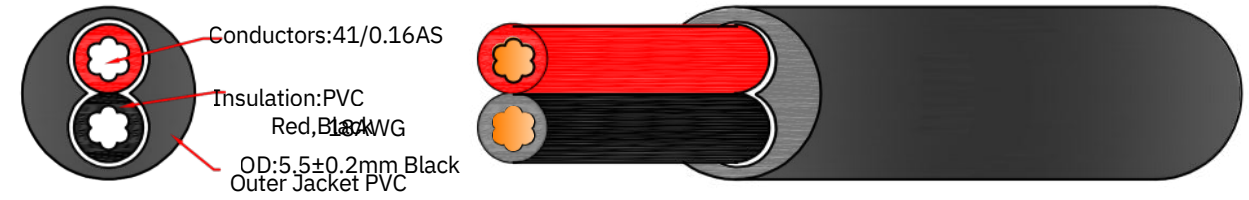


No.	DESCRIPTION	Q'TY	Rev	Content	Date
1	UL 2464 18AWG/2C,OD:5.5mm,Jacket:Black PVC	L	A1	Original Issue	2025.Jul.11
2	DC5.5*2.1mm Male Plug,Black Insulation,Nickel Plated Shell Molded 45P PVC Black	1PCS			



1:All Cables Are 100% Tested:Any Open, Mis-wiring & Short Are Not Permitted.  
2:All material must be RoHS Compliance.

11-Jul-2025		Approved:		Unit:	mm
Drawing NO:	LCD0155MS0T-064	Checked:	Eason		
Customer:		Drawing:	Jack chen		
Customer P/N:		Date:			
Description:					
DC5.5*2.1mm Male-Tin 18AWG 1M					